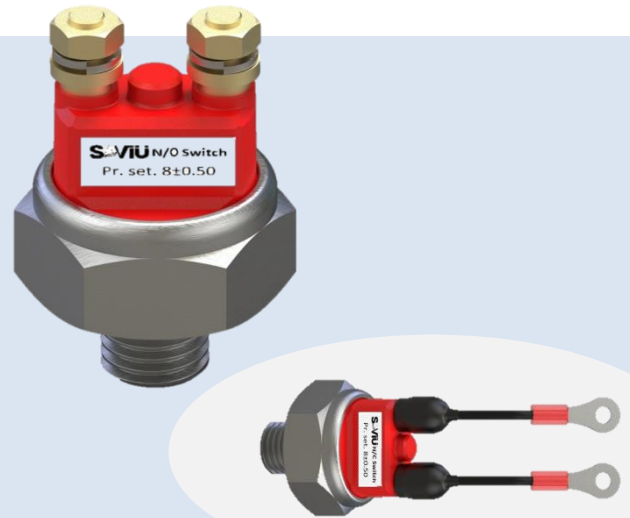
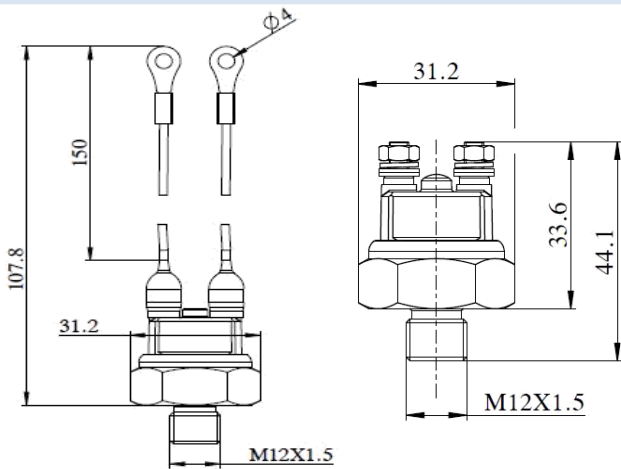


## Normally Open Pressure Switch.



### Technical Data

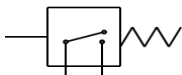
It is normally open pressure switch. Its typical function is to activate the associated system when sensing pressure reaches to the specified switching pressure range.

#### Design features and materials

<b>Steel Parts</b>	Steel with surface treatment
<b>Springs</b>	Spring steel with surface treatment or S.S.
<b>Plastic parts</b>	POM, PA, Nylon
<b>Sealing elements</b>	Nitrile rubber
<b>Wire</b>	PVC Insulated Industrial Cable (Multi Strand copper conductor)

**Lugs** Copper IS-191

#### Circuit Function



<b>Model</b>	<b>PS</b>
<b>Design</b>	Diaphragm or Piston Operated
<b>Medium</b>	Compressed air- Dry, filtered, Lubricated
<b>Working Pressure range</b>	As per selection
<b>Maximum Operating Pressure</b>	2-10 bar
<b>Recommended oil for lubrication</b>	ISO VG32(Servo system 32)
<b>Ambient/Medium temperature</b>	5°-60°C
<b>Electrical</b>	
<b>Voltage(V) ± 10%</b>	DC – 12V, 24V.
<b>Current rating</b>	5 A
<b>Duty cycle</b>	Continuous
<b>Class of insulation</b>	<b>Class F</b>

PS012		D		0		T2		D		1			
<b>Code</b>	<b>Pressure</b>	<b>Code</b>	<b>Pressure</b>	<b>Code</b>	<b>Pressure</b>	<b>Code</b>	<b>Category</b>	<b>Code</b>	<b>Threading</b>	<b>Code</b>	<b>Actuator</b>	<b>Code</b>	<b>Type</b>
A.....	0.3 bar	E.....	2.5 bar	I.....	4.5 bar	0.....	Pneumatic	T1.....	M12X1.5	D.....	Diaphragm	1.....	With Lugs
B.....	1 bar	F.....	3 bar	J.....	5 bar	1.....	Hydraulic	T2.....	M14X1.5	P.....	Piston	2.....	With brass nuts
C.....	1.5 bar	G.....	3.5 bar	K.....	5.5 bar			T3.....	1/2" BSP				
D.....	2 bar	H.....	4 bar	L.....	6 bar			T4.....	1/4" BSP				

#### Order Code:-

While ordering valve, please mention the suffix given above.

**Example:** -The ordering no. for Diaphragm actuated normally open pressure switch with actuating pressure 2bar and threading of M14X1.5 with lugs is **PS012D0T2D1**.