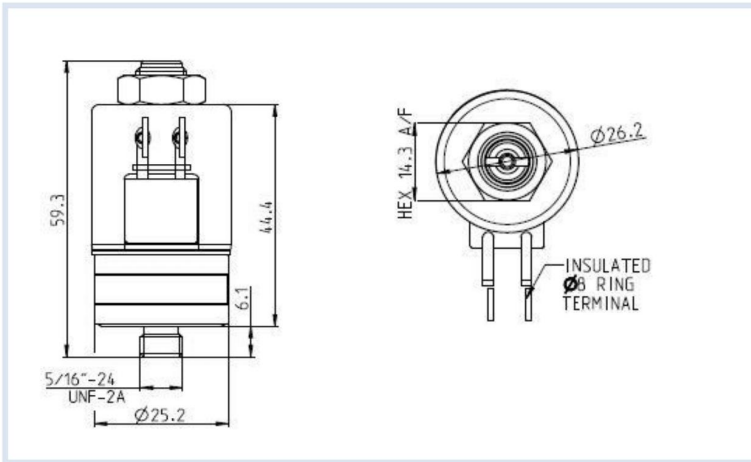


Compact Solenoid Valve



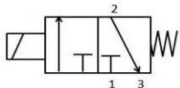
Technical Data

A Compact Solenoid valve is a type of standard mechanical valve that is activated by electrical power. These valves are direct acting with 3 ports and NC position. Application of Compact Solenoid valves are found in hydraulic as well as pneumatic circuits.

Design features and materials

Aluminum parts	Aluminum alloy
Steel Parts	Steel with surface treatment
Springs	Spring steel with surface treatment or S.S.
Plastic parts	POM, PA, Nylon
Sealing elements	Viton.

Circuit function



Model	CSV
Design	Direct type
Medium	Compressed air, Water, Engine oil (10W30 equivalent)
Working Pressure range	0-10 Bar
Ambient/Medium temperature	-10°C TO +80°C
Flow	Inlet & Outlet Port- equivalent to dia 1.9 internal.
Electrical	
Voltage(V) ± 10%	DC – 110V, 74V
Power consumption	7 Watt
Duty cycle	1. 74V, 110V – Intermittent (Details will be provided on request)
Class of Protection	IP67



Model	End connection (Material SS)/ size	Coil	Nonstandard category
CSV	P- 5/16"-24 UNF-2A Q- M10X1	74- 74 VDC 110- 110 VDC	Option not mentioned in catalogue Will be given by manufacturer upon agreement with customer.

Order Code:

While ordering valve, please mention the suffix given above.

Example:

The ordering no. for Compact solenoid Valve of end connection 5/16"-24 UNF-2A for 74 VDC is **CSV74**.